



**ON LEVEL QUALITY, SL**

C. Narcis Monturiol, 8 P. I. Can Trias  
 08232 Viladecavalls, Barcelona, Spain  
 Ph: + 34 936 249 930  
 email: info@onlevel.es  
[www.onlevelquality.com](http://www.onlevelquality.com)

QUOTATION:   
 ORDER:   
 DISTRIBUTOR: \_\_\_\_\_  
 CONTACT NAME: \_\_\_\_\_  
 REFERENCE: \_\_\_\_\_  
 DELIVERY TIME: \_\_\_\_\_

DATE: \_\_\_\_\_

8 WEEKS

QUANTITY:

**VERTICAL PLATFORM STEPLIFT MODEL PV**

HYDRAULIC ELEVATOR 0,15m/s FOR IMPAIRED MOBILITY PEOPLE, MODEL PV

RAL 7032

SHAFT MEASURES: WIDTH  X DEPTH  MAXIMUM TRAVEL: 3000mm

NR OF STOPS:  Guide 140mm, power unit at 3m dist

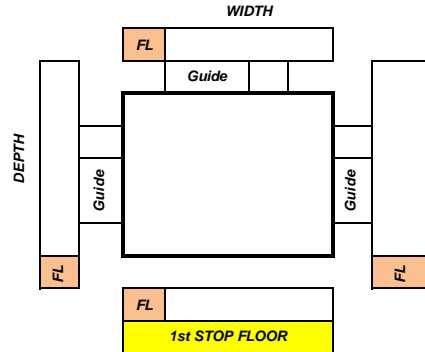
PIT 150mm

TRAVEL 0 / 1

HEADROOM

TOTAL TRAVEL

	<b>GUIDE 140</b>	<b>GUIDE 260</b>
Bot.	<input type="text"/>	<input type="text"/>
Right	<input type="text"/>	<input type="text"/>
Left	<input type="text"/>	<input type="text"/>



INSTALLATION:  INSIDE:  WEATHERPROOF  POWER UNIT INSIDE  OTHER RAL:  ENTRANCES:  THR ANGLE

CABIN DOOR: Clear Op  X  Right  Left   
 LANDING DOOR: Clear Op  X  Right  Left

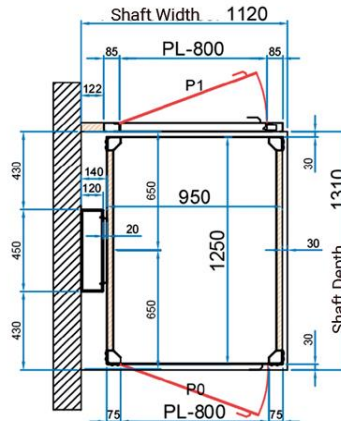
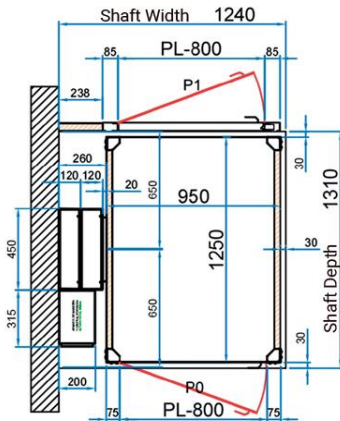
HINGED LANDING DOOR: Clear Op  X  Right  Left   
 PANORAMIC HNGD LAND: Clear Op  X  Right  Left

FIX GLASS PANEL FOR UP LANDING:

**MEASURES FOR A STANDARD CABIN WITH SHORT GUIDES, OR DOUBLE GUIDES WITH BUILT IN POWER UNIT**

PV WITH SUPPLEMENTARY WIDE GUIDES INCLUDING BUILT IN POWER UNIT

PV WITHOUT SUPPLEMENTARY GUIDES FOR POWER UNIT



NOTES:
